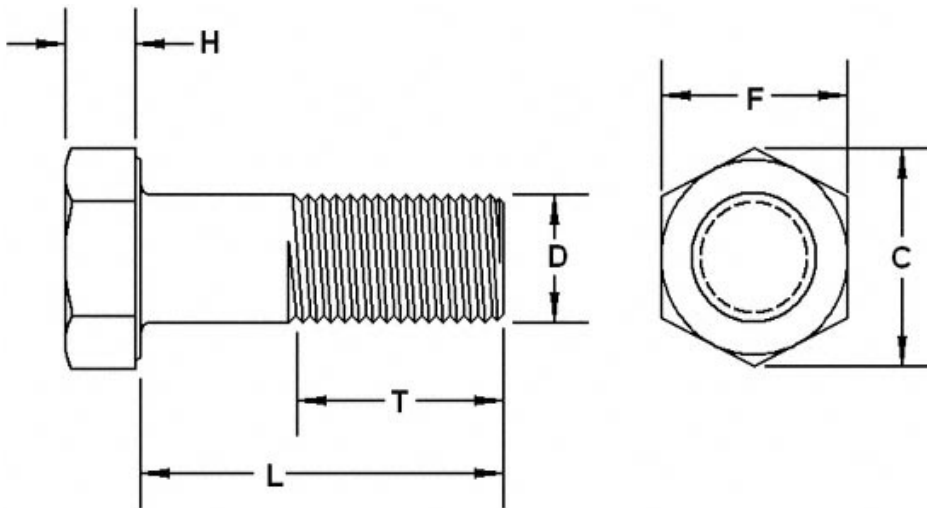




TRANSHOW INDUSTRY LIMITED

GAOYANG RD, ZHOUEAN VILLAGE, JIANGSHAN TOWN
 YINZHOU DISTRICT, NINGBO CITY, 315100 CHINA
 Tel: +86-574-8736.7873 Fax: +86-574-8736.4349
www.transhow.net Email: transhow@transhow.net

ASME B18.2.1-1996 HEAVY HEX BOLT



Bolt Dia	D	F			C		H		
	Body Dia	Wide Across Flat			Wide Across Corners		Height		
	Max	Basic	Max	Min	Max	Min	Basic	Max	Min
1/2	0.515	7/8	0.875	0.850	1.010	0.969	11/32	0.364	0.302
5/8	0.642	1-1/16	1.062	1.031	1.227	1.175	27/64	0.444	0.378
3/4	0.768	1-1/4	1.250	1.212	1.443	1.383	1/2	0.524	0.455
7/8	0.895	1-7/16	1.438	1.394	1.660	1.589	37/64	0.604	0.531
1	1.022	1-5/8	1.625	1.575	1.876	1.796	43/64	0.700	0.591
1-1/8	1.149	1-13/16	1.812	1.756	2.093	2.002	3/4	0.780	0.658
1-1/4	1.277	2	2.00	1.938	2.309	2.209	27/32	0.876	0.749
1-3/8	1.404	2-3/16	2.188	2.119	2.526	2.416	29/32	0.940	0.810
1-1/2	1.531	2-3/8	2.375	2.300	2.742	2.622	1	1.036	0.902
1-3/4	1.785	2-3/4	2.750	2.662	3.175	3.035	1-5/32	1.196	1.054
2	2.039	3-1/8	3.125	3.025	3.608	3.449	1-11/32	1.388	1.175
2-1/4	2.305	3-1/2	3.500	3.388	4.041	3.862	1-1/2	1.548	1.327
2-1/2	2.559	3-7/8	3.875	3.750	4.474	4.275	1-21/32	1.708	1.479

All dimensions are in inch (ASME B18.2.1)